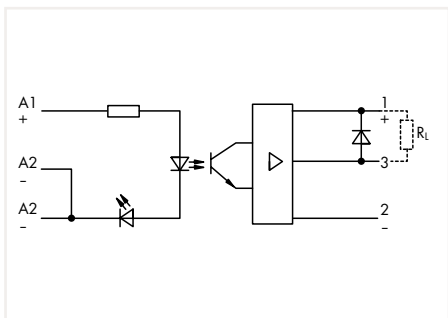
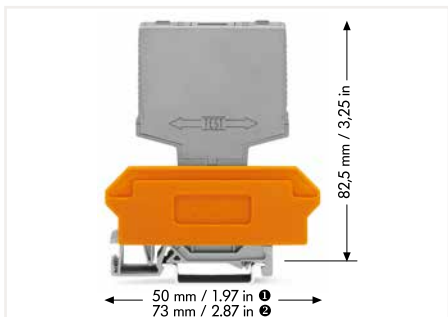


Optocoupler Module 286 Series



Optocoupler Module; Output voltage range: 15 ... 40 VDC; Limiting continuous current: 5 A; 3-wire connection; Low-side switching; Frequency: 1 kHz; Status indicator: red; 15 mm wide

U_N	I_N	Item No.	Pack. Unit
24 VDC	13.5 mA	286-721	1



Control Circuit

Input voltage range (high level)	15 ... 30 VDC
Input current range	7.5 ... 18 mA

Load Circuit

Circuit type	3-wire connection; low-side switching
Limiting continuous current	5 A
Output Voltage Range	15 ... 40 VDC
Voltage drop (output) max.	≤ 0.5 VDC
Leakage current at rated voltage	≤ 2.5 μA
Turn-on time	≤ 20 μs
Turn-off time	≤ 80 μs
Switching frequency	≤ 1 kHz

Signaling

Status indicator	Red LED
------------------	---------

Safety and Protection

Pollution degree	2
Dielectric strength, control/load circuit (AC, 1 min)	2.5 kV _{rms}
Protection type	IP20

Physical Data

Width	15 mm / 0.591 inch
Height from upper-edge of DIN-rail	82.5 mm / 3.25 inch
Depth	52 mm / 1.654 inch

Mechanical Data

Mounting type	Pluggable relay module for terminal block for pluggable modules
---------------	---

Material Data

Weight	29.2 g
--------	--------

Environmental Requirements

Surrounding air temperature (operation at U_N)	-25 ... +40 °C
Surrounding air temperature (storage)	-25 ... +40 °C
Processing temperature	-25 ... +50 °C

Standards and Specifications

Standards/specifications	EN 60664-1
--------------------------	------------

Accessories



Terminal block for pluggable modules; 6-pole; with 2-conductor terminal blocks; with orange separator; for 35 x 15 mm and 35 x 7.5 mm DIN-rails; 2.5 mm²

Item No.	Pack. Unit
280-619	30



Terminal block for pluggable modules; 12-pole; with 4-conductor terminal blocks; with orange separator; for 35 x 15 mm and 35 x 7.5 mm DIN-rails; 2.5 mm²

Item No.	Pack. Unit
280-609	30



Terminal block for pluggable modules; 12-pole; with 4-conductor terminal blocks; with marker carrier; with orange separator; for 35 x 15 mm and 35 x 7.5 mm DIN-rails; 2.5 mm²

Item No.	Pack. Unit
280-763	25